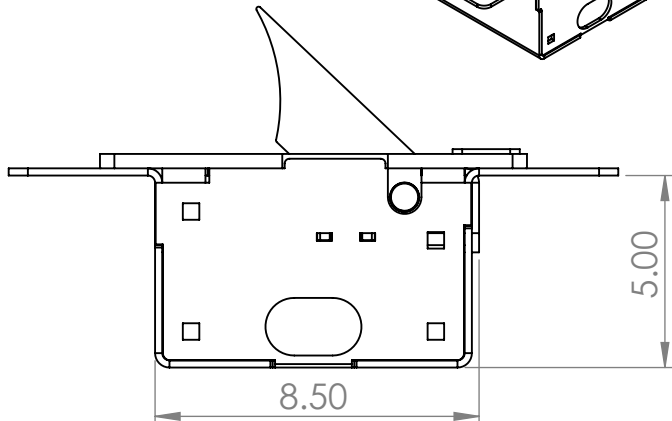
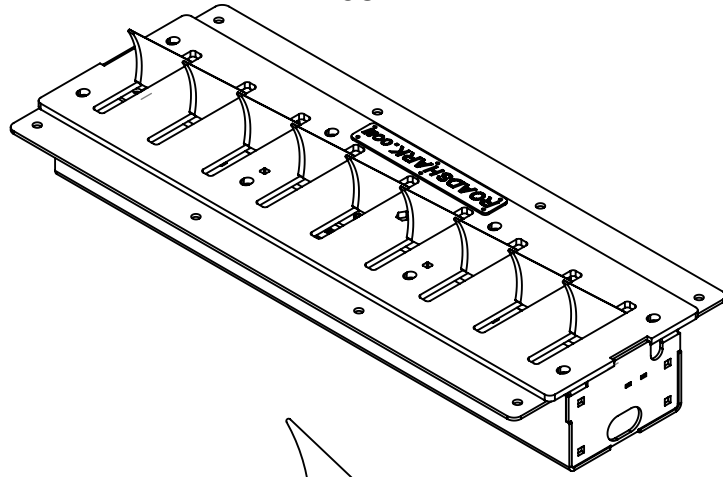
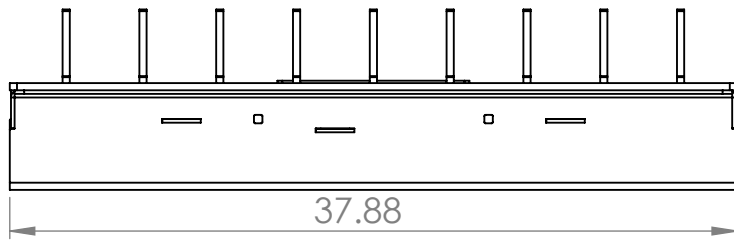


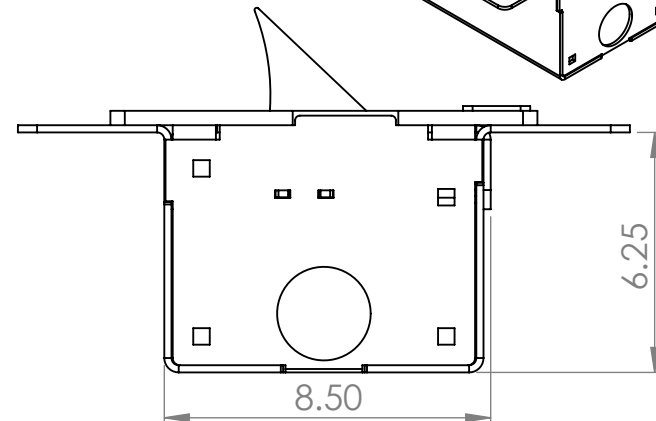
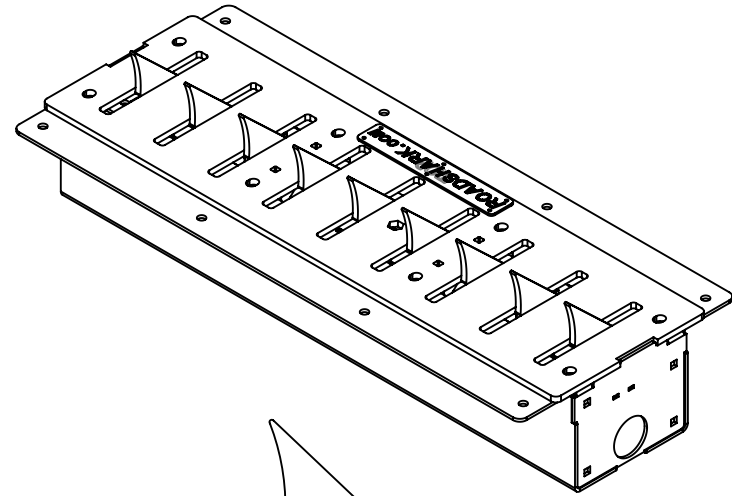
LP38



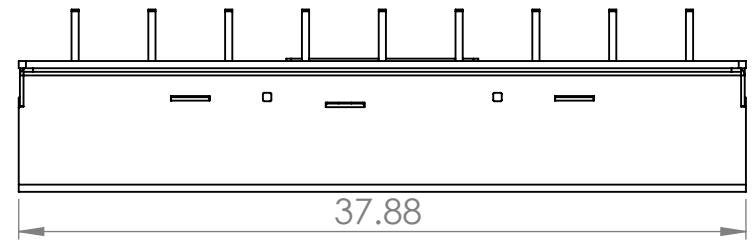
Use 9" for concrete cutout size



LPC38



Use 9" for concrete cutout size



Roadshark International Inc.

Part # Concrete Dimensions

MATERIAL:

DWG NO. Concrete Dimensions

Rev

WEIGHT: lbs

SCALE:1:10

SHEET 1 OF 1